

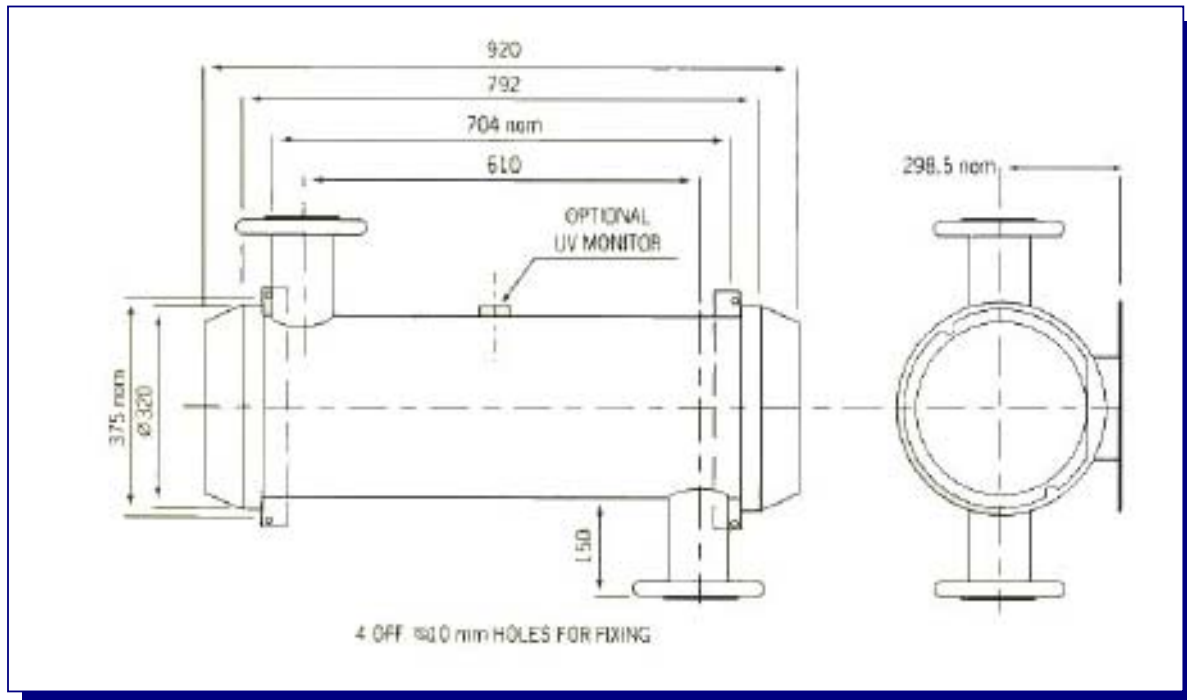
# Pumpmasters Series 10

## UV Water Purifiers

### CHAMBER DESCRIPTION

The chamber is constructed in 304 stainless steel throughout. Pressure rated to 10 bar. It incorporates low-pressure UV lamps contained within a high purity quartz sleeve physically isolating it from the liquid. Chamber connections are PN16 DN80 inch flanged as standard. Other fittings are available on request.

SPECIFICATION TABLE			
<b>Model</b>	<b>S364</b>	<b>S366</b>	<b>S368XO</b>
<b>Flow Rate *</b>	<b>31 M<sup>3</sup>/hr</b>	<b>46 M<sup>3</sup>/hr</b>	<b>82 M<sup>3</sup>/hr</b>
<b>Pressure Rating</b>	<b>10 Bar</b>		
<b>Lamp Life</b>	<b>Typically 1 year continuous use</b>		
<b>Connections</b>	<b>PN16, DN80 Flange (other fittings available on request)</b>		
<b>Dimensions</b>	<b>See diagram</b>		
<b>Weight</b>	<b>42 KG</b>	<b>42 Kg</b>	<b>42 Kg</b>
<b>Construction</b>	<b>304 Stainless Steel</b>		



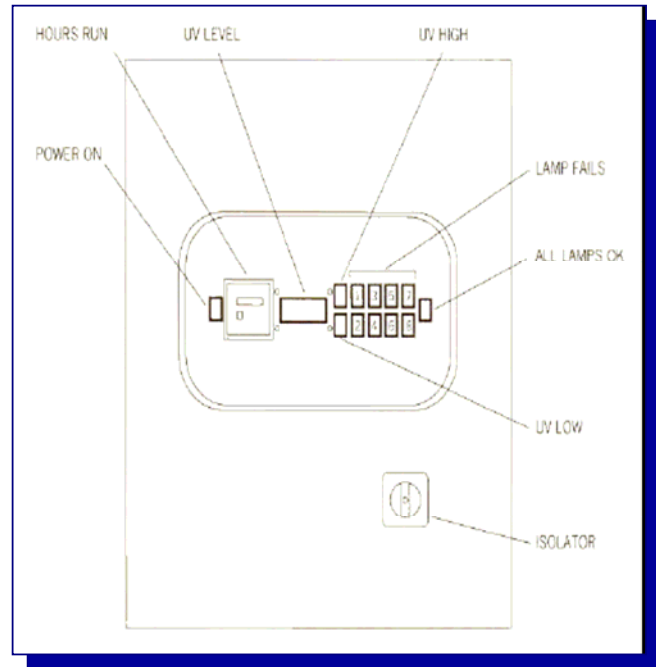
\* The stated flow rates are based on deionised / RO water. Poorer water quality will result in a lower flow rates. If you wish to send us a sample of your water we will calculate the actual flow rate for your application (this is a free service for customers placing orders with us).

### CONTROL BOX DESCRIPTION

Constructed from 1.5mm fabricated powder coated mild steel, the control box is designed for wall mounting and sealed to an IP65 rating.

### CONTROL BOX FEATURES

- Mains ON/OFF Switch
- An hours run meter, indicating lamps run time
- LAMP FAILURE INDICATOR  
Should any lamps fail, a sensing system will activate warning indicator(s) along with volt free relay contact(s), which can be used to initiate a remote warning device.
- UV MONITOR  
An optional UV monitor provides accurate measurement of instantaneous UV intensity. Should intensity fall below a predetermined level the monitor will activate a local or remote warning device (see separate data sheet).



**SPECIFICATION TABLE**

MODEL	S364	S366	S368XO
Power Supply	Standard 220 - 240 VAC, 50 Hz		
Power Rating (VA) (Single Phase)	260	390	920
Fuse	3A HBC	5A HBC	5A HBC
Hours Run Meter & Lamp Failure Monitor	Standard		
UV Intensity Monitoring	Optional		
Construction	Power Coated Mild Steel		
Protection Rating	IP65		
Weight	22 KG		

We offer a large range of standard units with expertise in design enables us to tailor systems to specific site situations. Our products are in regular use in a wide range of applications from vending machines to municipal drinking water treatment.

*Please ask about our extensive range of compatible filter units, in stock matched to the UV chambers capacity and will be pleased to advise when choosing a unit and propose corrective measures for all water problems.*



### PUMPMASTERS LTD

Unit 1, Peffer Business Centre  
North Peffer Place,  
**Edinburgh, EH16 4UZ**

Tel : 0131 661 3982

Fax : 0131 652 0115

Web : [www.pumpmasters.co.uk](http://www.pumpmasters.co.uk)